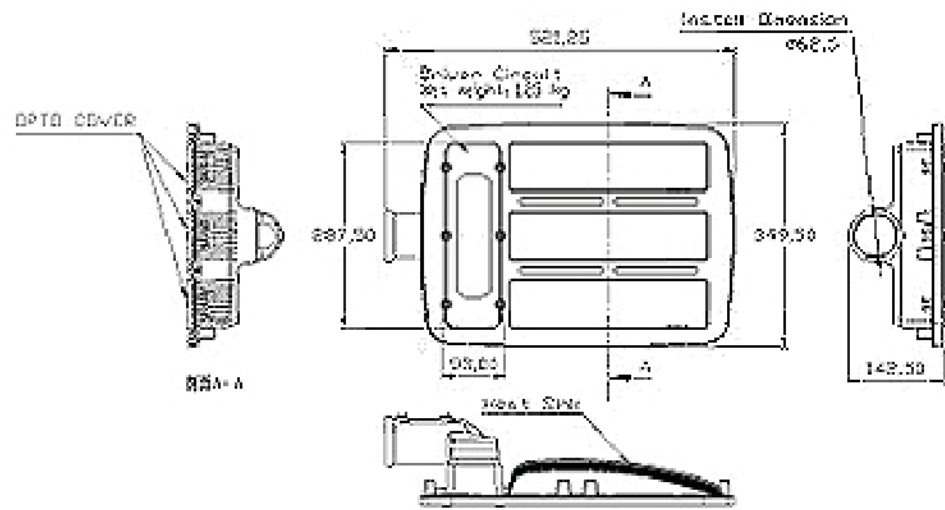


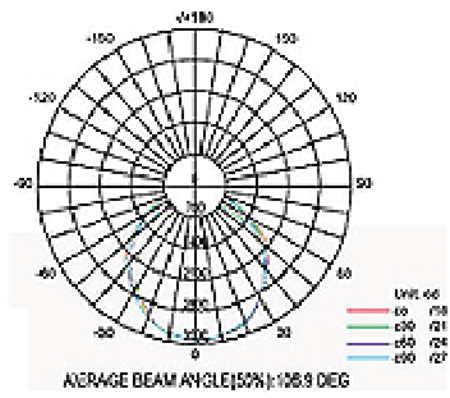
BY	CHK	REVISION RECORD MODIFICATIONS	DATE	REV.
ALLEN		RELEASE TO PRODUCTION	2008,7,28	1.0



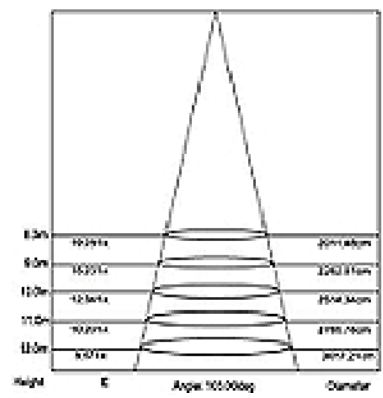
NOTES:
 1. All dimensions are in millimeters;
 2. Tolerances are ± 2 mm unless otherwise specified.



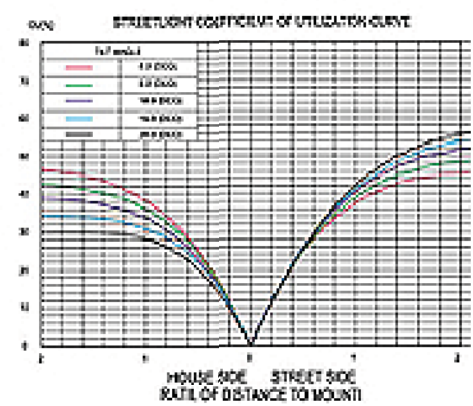
1. POLAR DIAGRAM



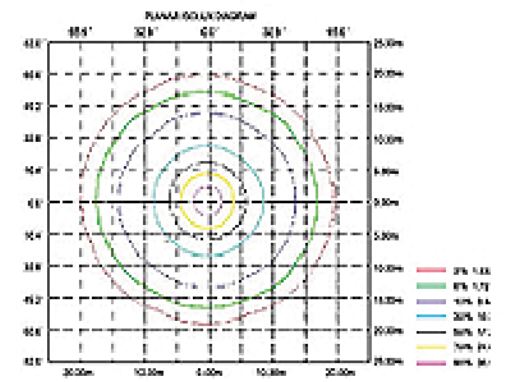
2. A/D Figure



3. UTILIZATION FACTORS



4. ISOLUX DIAGRAM



APPRO	CHECK	DRAWN	PART NO.	
			ITEM NO.	
			DRAW NO.	
			UNIT	SCALE
			TOLER	NO.

DESCRIPTION

